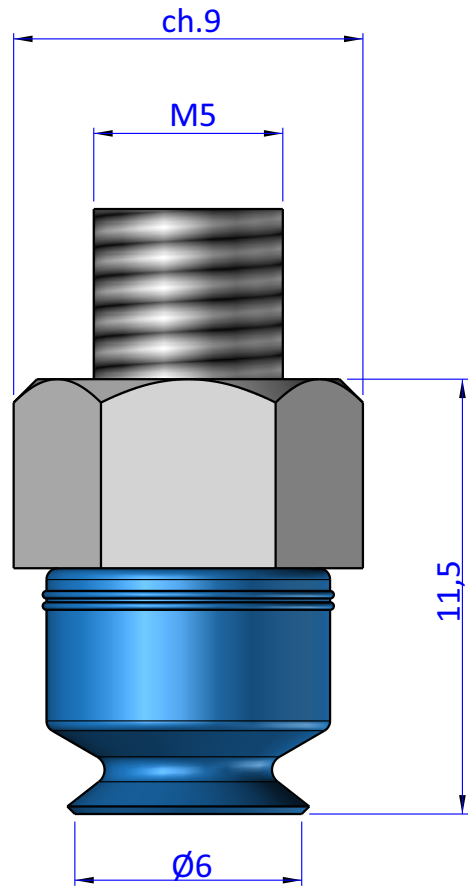
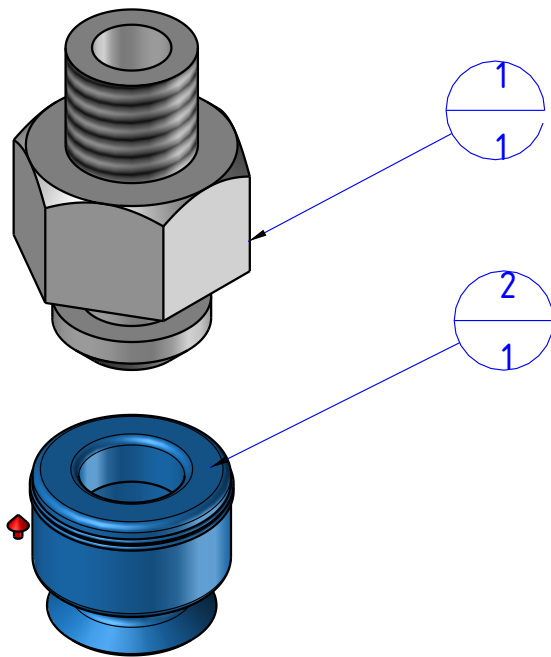


THE PROPERTY OF THE DRAWING IS ESTABLISHED BY LAW. IT IS FORBIDDEN TO PRODUCE OR SHOW IT TO THIRD PART. WITHOUT A WRITTEN AGREEMENT.

Item	Name	Q.ty
1	CA.08.09.014	1
2	CA.08.29.002	1



DESIGNED FROM	FPS Automation	REVIEW	A
---------------	----------------	--------	---

DATE	07/01/2021	WEIGHT	0,001kg
------	------------	--------	---------

CODE	KIT.08.29.D06
------	---------------

Format A4

UNI 936-76

GENERAL TOLERANCE

UNI - ISO 2768

CLASSE f

DESCRIPTION

KIT.08.29.D06